

Main features

- Operating temperature up to +180°C
- Technopolymer housing
- Protection degree IP20 or IP40
- 2 terminal types available
- 5 actuators available

Quality marks:



IMQ approval: CA02.05772
EAC approval: RU C-IT.YT03.B.00035/19

Technical data

Housing

Housing made of glass fibre reinforced technopolymer, self-extinguishing and shock-proof.
Protection degree acc. to EN 60529: IP00 (terminals)
IP40 (electrical contacts)

General data

Ambient temperature: -25°C ... +180°C
Max. operating frequency: 3600 operating cycles/hour
Mechanical endurance: 1 million operating cycles
Tightening torques for installation: see page 194

In compliance with standards:

IEC 60947-5-1, EN 60947-5-1, IEC 60528, EN 60529, EN 50581.

Approvals:

EN 60947-5-1

Compliance with the requirements of:

Low Voltage Directive 2014/35/EU,
EMC Directive 2014/30/EU,
RoHS Directive 2011/65/EU.

⚠ If not expressly indicated in this chapter, for correct installation and utilization of all articles see the instructions given on pages 223 to 236.

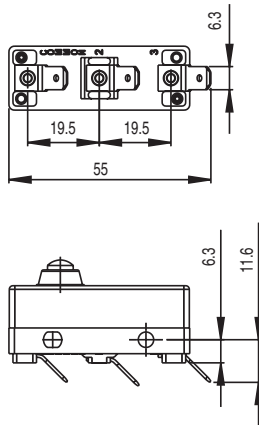
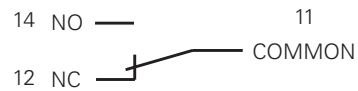
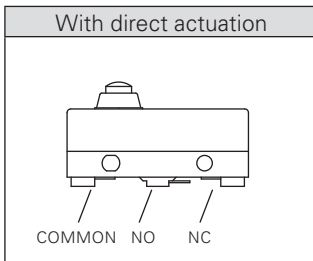
Electrical data

Utilization category

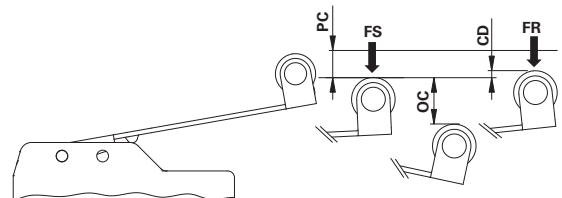
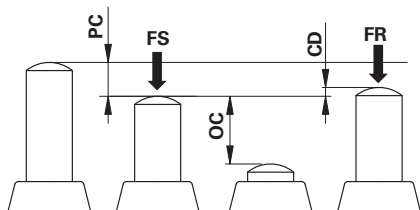
Ambient temperature	Electrical data	Utilization category
+20 °C	Thermal current (I_{th}): 16 A Rated insulation voltage (U_i): 250 Vac 300 Vdc Rated impulse withstand voltage U_{imp} : 4 kV Conditional short circuit current: 1000 A acc. to EN 60947-5-1 Protection against short circuits: type gG fuse 16 A 250 V Pollution degree: 3 Dielectric strength: 2000 V~ between terminals and other metal parts to ground.	Alternating current: AC15 (50 ÷ 60 Hz) U_e (V) 250 I_e (A) 6 Direct current: DC13 U_e (V) 24 125 250 I_e (A) 5 0.5 0.3
+180 °C	Thermal current (I_{th}): 16 A Rated insulation voltage (U_i): 250 Vac 300 Vdc Rated impulse withstand voltage U_{imp} : 4 kV Conditional short circuit current: 1000 A acc. to EN 60947-5-1 Protection against short circuits: type gG fuse 16 A 250 V Pollution degree: 3 Dielectric strength: 2000 V~ between terminals and other metal parts to ground.	Alternating current: AC15 (50 ÷ 60 Hz) U_e (V) 250 I_e (A) 6 Direct current: DC13 U_e (V) 24 I_e (A) 4

Terminal dimensions

All values in the drawings are in mm


Circuit diagram


Change-over contact element with single interruption and three terminals.

Actuation forces and travels


- PC** pre-travel
- OC** over-travel
- CD** differential travel
- FS** trigger force
- FR** release force

Code structure

Attention! The feasibility of a code number does not mean the effective availability of a product. Please contact our sales office.

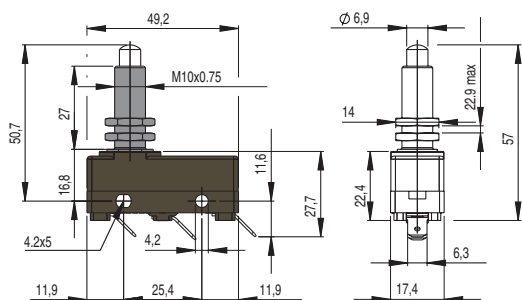
 article
MF 08-T2

 Terminal type
MF faston terminals

 Ambient temperature
T2 -25°C ... +180°C

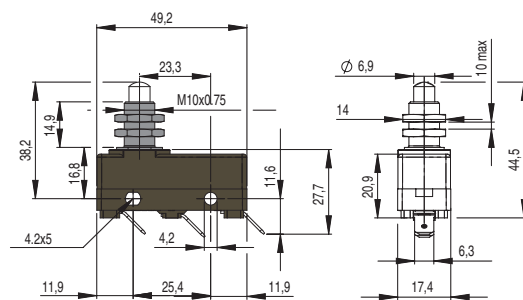
- Actuator
- 08** threaded plunger M10 x 0.75
 - 09** threaded plunger M10 x 0.75
 - 10** threaded plunger M12 x 1
 - 15** threaded plunger with roller
 - 17** threaded plunger with transversal roller

Microswitches with direct actuation



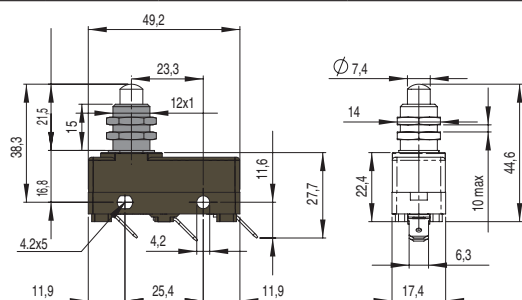
MF 08-T2	PC	0.5 mm	FS	3.9 N
	OC	5.5 mm	FR	2.7 N
	CD	0.05 mm		

Maximum and minimum speed see page 234 - type 1



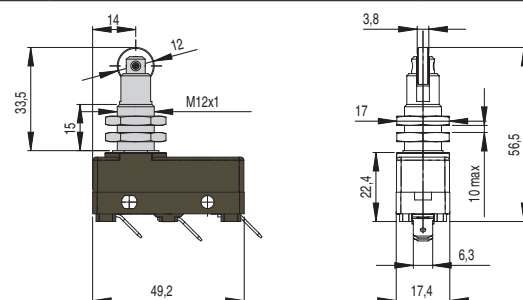
MF 09-T2	PC	0.5 mm	FS	3.9 N
	OC	5.5 mm	FR	2.7 N
	CD	0.05 mm		

Maximum and minimum speed see page 234 - type 1



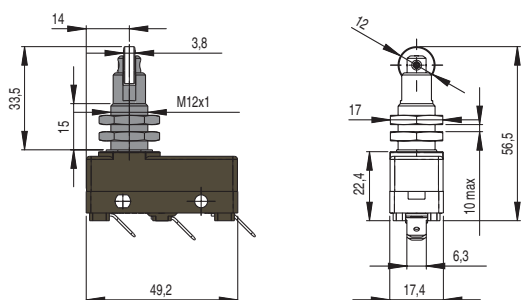
MF 10-T2	PC	0.5 mm	FS	3.9 N
	OC	5.5 mm	FR	2.7 N
	CD	0.05 mm		

Maximum and minimum speed see page 234 - type 1



MF 15-T2	PC	0.5 mm	FS	3.9 N
	OC	5.5 mm	FR	2.7 N
	CD	0.05 mm		

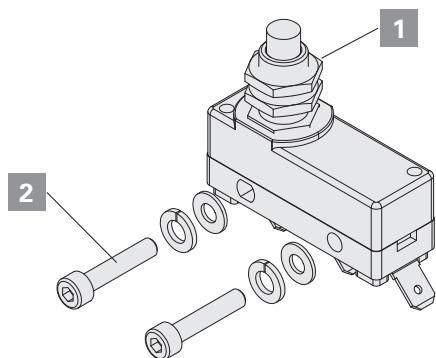
Maximum and minimum speed see page 234 - type 2



MF 17-T2	PC	0.5 mm	FS	3.9 N
	OC	5.5 mm	FR	2.7 N
	CD	0.05 mm		

Maximum and minimum speed see page 234 - type 2

Tightening torques



1 Head nuts

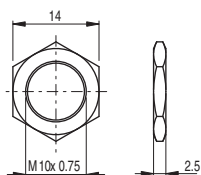
2 M4 fixing screws, body (insert a washer and a spring washer)

Attention: a tightening torque higher than 1.2 Nm can cause the breaking of the microswitch.

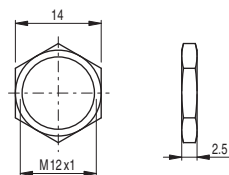
2 ... 3 Nm

0.8 ... 1.2 Nm

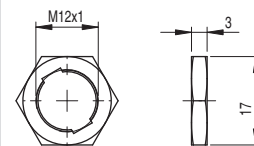
Accessories Packs of 10 pcs.



Article	Description
VF AC83	Hex threaded nut for microswitches with actuators 08, 09



Article	Description
VF AC72	Hex threaded nut for microswitches with actuator 10



Article	Description
AC 35	Hex threaded nut, notched, for microswitches with actuators 15, 17