

# Concert™ Series

Temperature Controllers

Easy, economical means to increase application capacity and flexibility for melters.



*Concert basic temperature controller*



*Concert expanded temperature controller*

Maximizing equipment utilization helps optimize material use and production efficiency. Capability to fully use melter capacity is one often under-utilized production improvement. Many, probably most, individual material dispensing applications require far less volume than melters are capable of. But, individual dispensing applications have specific process requirements, such as optimal material temperature, so “shared” production equipment opportunities are limited.

Concert series temperature controllers provide an easy, economical means to expand a melter’s external heating zones so a single melter can serve multiple individual applications simultaneously. Concert basic temperature controllers regulate up to three heating channels for each melter, while Concert expanded temperature controls regulate up to five heating channels per melter. Channels are comprised of a pair of heating zones.

The Optix™ user interface offers a color LCD touch screen for intuitive control and visibility of system status.

## **Benefits**

- Temperature standby mode reduces adhesive degradation and char
- Intuitive touch-screen interface simplifies set-up and operation
- Establish upper and lower temperature limits for each channel
- Simple, quick connections

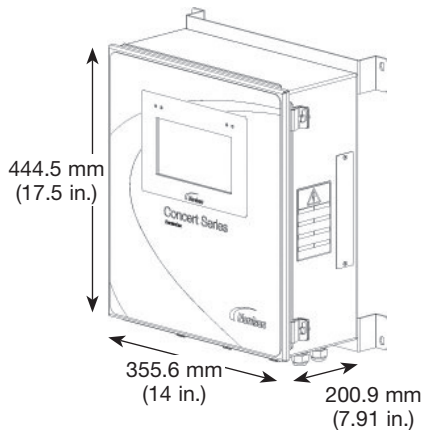
# Concert™ Series Temperature Controllers

## Specifications

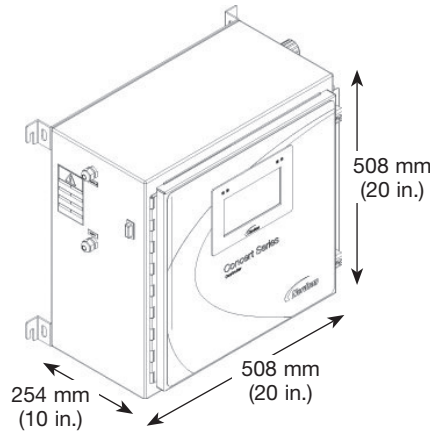
Operating Temperature Range	40 to 204°C (100 to 400°F)
Ambient Temperature Range	0 to 40°C (32 to 104°F)
Temperature Control Stability	±1°C (2°F)
Temperature Control Sensor Options	Nickel 120 Ohm RTD, Platinum 100 Ohm RTD
Input/Output Capability	4 inputs/3 outputs
Ingress Protection Rating	IP33

	<b>Basic</b>	<b>Expanded</b>
Number of Channels	Up to 3	Up to 5
Maximum Heating Capacity		
Channel 1	1200 watts per channel/ 1000 watts per zone	1200 watts per channel/ 1000 watts per zone
Channel 2	1200 watts per channel/ 1000 watts per zone	1400 watts per channel/ 700 watts per zone
Channel 3	2800 watts per channel/ 1800 or 1000 watts per zone	4000 watts per channel/ 2000 watts per zone
Channel 4-5	N/A	4000 watts per channel/ 2000 watts per zone
Electrical Requirements	200/240 VAC 50/60 Hz, single-phase 240 VAC 50/60 Hz, 3-phase	240 VAC 3-phase Delta 400/230 VAC 3-phase Wye
Weight (approx.)	13.6 kg (30 lbs)	26 kg (80 lbs)

## Dimensions



*Basic Concert Temperature Controller*



*Expanded Concert Temperature Controller*

**For more information, speak with your Nordson representative or contact your Nordson regional office.**

### United States

Duluth, Georgia  
(800) 683-2314 **Phone**  
(866) 667-3329 **Fax**

### Europe

Lüneburg, Germany  
(49) 4131-894-0 **Phone**  
(49) 4131-894-149 **Fax**

### Japan

Tokyo, Japan  
(81) 3-5762-2700 **Phone**  
(81) 3-5762-2701 **Fax**

### Asia/Australia/ Latin America

Amherst, Ohio  
(440) 985-4496 **Phone**  
(440) 985-1096 **Fax**

### Find us on:



NWL-14-5865  
Issued 8/14  
© 2013, 2014 Nordson Corporation  
All Rights Reserved.  
Printed in U.S.A.  
Nordson reserves the right to make design changes between printings.