

DIGITAL PANEL METER

A2100

NEW!



■ Features

- LED height 10mm
- Power supply 5VDC or 5 to 24VDC
- 3 1/2 digit

■ DC Voltage Measurement

Range	Measurement Range	Input Impedance	Input Protection	Accuracy
11	±199.9mV	100M	±50V	± (0.1% of F.S)
12	±1.999V			
13	±19.99V			
14	±199.9V	1M	±250V	

■ DC Current Measurement

Range	Measurement Range	Input Impedance	Input Protection	Accuracy
22	±1.999mA	100	±50mA	± (0.2% of F.S)
23	±19.99mA	10	±150mA	
24	±199.9mA	1	±500mA	
25	±1.999A	0.1	±3A	

■ Power supply

● Non-isolation type

Voltage: 5VDC±5%
Consumption: 60mA

● Isolation type

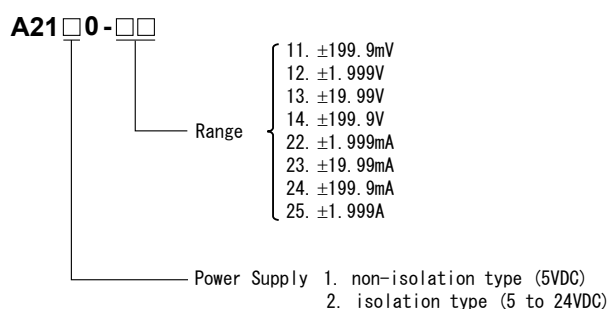
Voltage: 5 to 24VDC
Consumption: 100mA

■ Specification

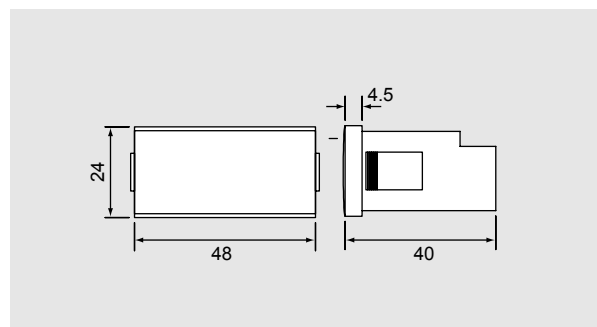
Input configuration: Single Ended
Conversion rate: 2.5/sec
Max display: 1999
Overrange indication: When input exceeds the maximum display, 0000 or -0000 flashes
Display: Red LED, 10mm
Polarity: A "-" is displayed automatically
Decimal point: Settable to any digit position by front SW
External control: Hold
Operating Temp.: 0 to 50°C 35 to 85% RH
Dimensions: 48mm (W) × 24mm (H) × 39.7mm (D) DIN size
Weight: 40g
Dielectric strength: Power supply and input terminal at 500VDC/1min
Case and each terminals at 1500VAC/1min
Insulation resistance: 500VDC 100M Ω at the above terminals

* Replacement for AP-200, AP-201A, AP-202A(no option)

■ Ordering Code



■ Dimensions



■ Panel Cutout

