

OPEN CASE METER

AH-330, 331

*EASY Installation



(AH-331)

■ DC Voltage Measurement

Model	Range	Maximum Resolution	Input Impedance	Input Protection
AH-330-11	±99.9mV	100 μV	100M	±100V
AH-330-12	±0.999V	1mV	100M	±100V
AH-331-11	±199.9mV	100 μV	100M	±100V
AH-331-12	±1.999V	1mV	100M	±100V

Accuracy: ±0.1% rdg. ±1 digit (23±5°C)

■ Specifications

Input Configuration:	Single Ended
Input Bias Current:	50PA (Typ.)
Conversion Rate:	2.5/sec
Normal Mode Rejection:	40dB (Typ.)
Zero Stability:	Automatic zero adjustment
Display:	LED, 14.2mm
Polarity:	A "-" is displayed automatically
Decimal Point:	Settable to any digit position
Overrange Indication:	When input exceeds the maximum display, lights up OVER LED (AH-330) or 1999 flashes (AH-331)
Power Supply:	DC5V±5%
Operating Temperature:	0~50°C, 35 to 85%RH
Power Consumption:	AH-330 75mA, AH-331 80mA
Dimensions:	29.5 (H) × 65 (W) × 18.2 (D) mm
Weight:	Approx. 20g

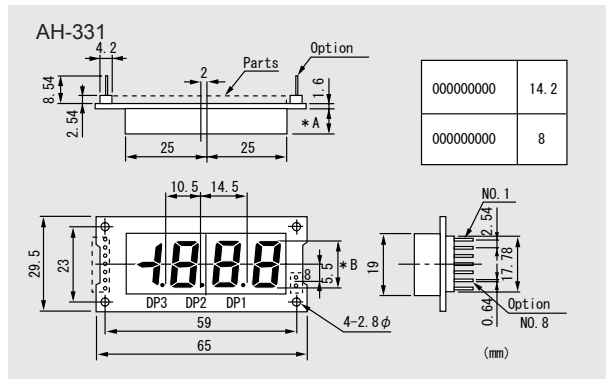
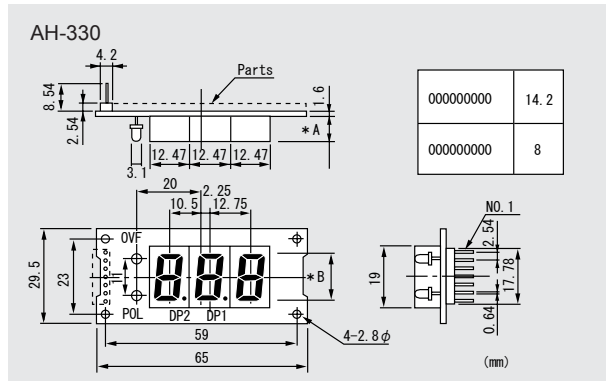
■ Ordering Code

AH-330-□□	Range	11 12
331		

■ Features

- Uncased, 3 digits(AH-330) 3 1/2 digits(AH-331)
- Bright LED, 14.2mm(Red)
- Hold for AH-331(option)
- Power Supply DC5V±5%

■ Dimensions



■ Connection Diagram

