

# DC VOLTMETER & AMMETER

## AP-201A

\*Standard 3 1/2 Digit



### ■ Features

- Low Cost
- Bright LED 10.2mm(Red)
- DC5V(Non-Isolated)
- 200mV~200V Measurement

### ■ DC Voltage Measurement

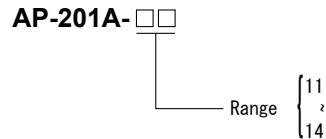
Model	Range	Maximum Resolution	Input Impedance	Input Protection
AP-201A-11	±199.9mV	100 $\mu$ V	100M	±100V
AP-201A-12	±1.999V	1mV	100M	±100V
AP-201A-13	±19.99V	10mV	10M	±250V
AP-201A-14	±199.9V	100mV	10M	±500V

Accuracy:  $\pm 0.1\%$  rdg.  $\pm 1$  digit (23° C5° C) Stability Max. 2 digits for only AP-201A-11

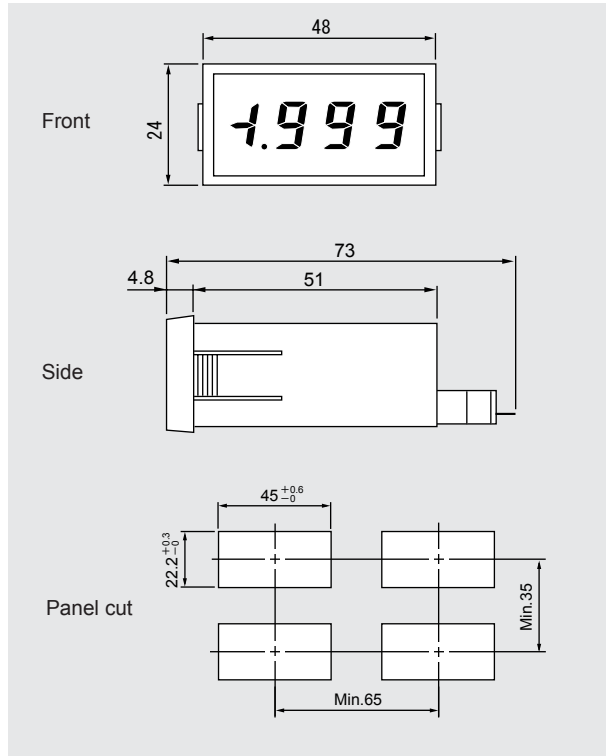
### ■ Specifications

Input configuration: Single Ended.  
 Input Bias Current: 50PA(Typ.)  
 Conversion Rate: 2.5/sec  
 Normal Mode Rejection: 40dB(Typ.) (50/60Hz)  
 Zero Stability: Automatic Zero Adjustment  
 Display: LED, 10.2mm 3 1/2 -digit  
 Polarity: A "-" is displayed automatically  
 Decimal Point: Settable to any digit position  
 Overrange Indication: Flashes 1 or -1 of the most significant digit for an input signal exceeding the maximum display range.  
 Power Supply: DC5V  $\pm 5\%$ , 60mA  
 Operating Temperature: 0~50° C, 35 to 85%RH  
 Power Consumption: Approx. 60mA  
 Dimensions: 24(H) · 48(W) · 73(D)mm DIN Size  
 Weight: Approx. 40g  
 Dielectric Strength: Between input(Lo) terminal and mounted plate. AC1500V/1 min.  
 Insulation Resistance: DC500V 100M at above terminals

### ■ Ordering Code



### ■ Dimensions



### ■ Connection Diagram

