

Temperature Transmitter

TH-1C



Input Specification

Sensor	Code	Input temperature	Minimum Span
R	R	0 to 1700°C	400 °C
K	K	-50 to 1200°C	100 °C
E	E	-50 to 900°C	100 °C
J	J	-50 to 1000°C	100 °C
T	T	-50 to 350°C	100 °C
S	S	0 to 1700°C	500 °C
B	B	200 to 1700°C	1000 °C
Pt 100	P	-150 to 800°C	100 °C

Thermocouple Input Specification

Accuracy of Cold Junction Compensation $\pm 1^\circ\text{C}$ (10 to 30°C)
(For thermocouples other than B type thermocouple)

RTD Input Specification

Allowable leadwire resistance: Less than 10
Current following through RTD: 1mA

Output Specification

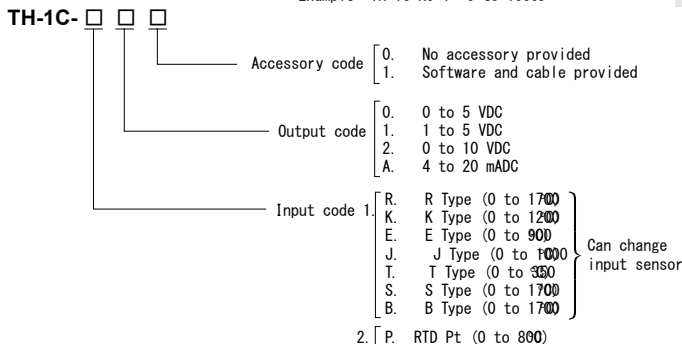
Code	Output signal	Output Load resistance	Output at burnout
0	DC 0 to 5 V	More than 2k	Approx 120% F.S
1	DC 1 to 5 V		
2	DC 0 to 10 V	More than 4k	
A	DC 4 to 20 mA	Less than 550	

General Specification

Accuracy: $\pm 0.25\%$ F.S (At $25\pm 2^\circ\text{C}$)
 Temperature characteristic: $\pm 0.02\%$ F.S/ $^\circ\text{C}$
 Power supply voltage variation: $\pm 0.1\%$ F.S
 Response Time: Less than 2 sec (0 to 90%)
 Insulation resistance: Between input and output/power supply;
 More than 100 M at 500 VDC
 Dielectric strength: Between input and output/power supply;
 For 1 min. at 1500 VAC
 Power supply voltage: 24V DC $\pm 10\%$
 Consuming current: Less than 60 mA (At 24 VDC)
 Operating ambient temperature: -5 to 50°C
 Operating ambient humidity: Less than 90%RH (No-condensing)
 Storage temperature: -10 to 70°C
 Storage humidity: Less than 60%RH (No-condensing)
 Case material: Black PC resin 94V-2
 Weight: Approx. 80g

Ordering Code

Example: TH-1C-K0-1 0 to 1000C

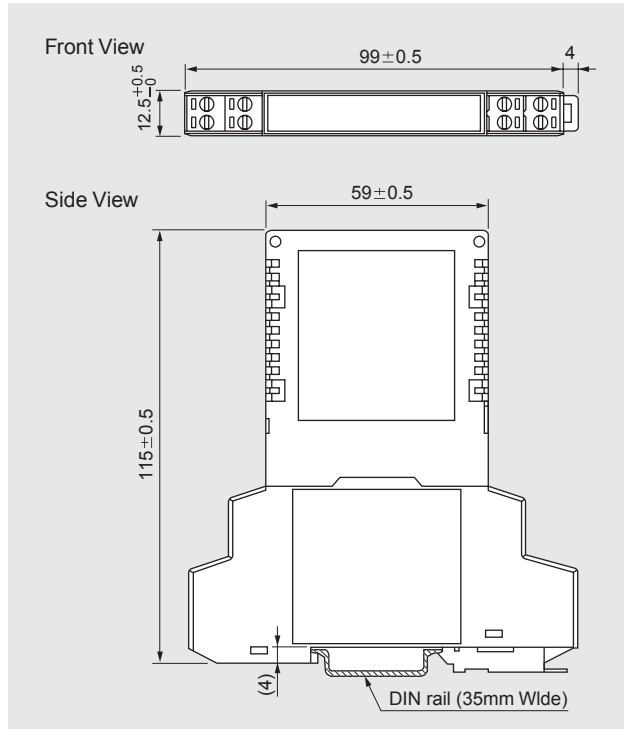


As input specifications, separately specify the zero and span temperatures (in steps of $^\circ\text{C}$).
 Otherwise, any one of the above temperatures is selected.
 When purchasing only the setting soft cable, specify "TH-1C-XX-1."

Features

- Slim width 12.5mm
- DIN rail mount type
- Power supply 24VDC $\pm 10\%$
- Input sensor
R,K,E,J,T,S,B, PT-100 ohm

Dimensions



Connection Diagram

