

**Thin type potentiometer transducer**  
**MODEL TH-2B, 5B**  
**INSTRUCTION MANUAL**



**Warning**

This marking indicates that the erroneous operation of converter may result in death or serious injury.



**Caution**

- (1) The application of voltage or current exceeding its maximum allowable value to the input terminals may result in instrument damage.
- (2) The supply of power out of its allowable range may cause fire, electric shock or instrument failure.
- (3) The content of this manual may subject to change without prior notice for product improvement.
- (4) This manual is carefully prepared. However, if any question arises, or any mistake, omission or suggestion is found in the content of this manual, contact your nearest our sales agent.
- (5) Keep this manual available easily anytime.

■ **Outline**

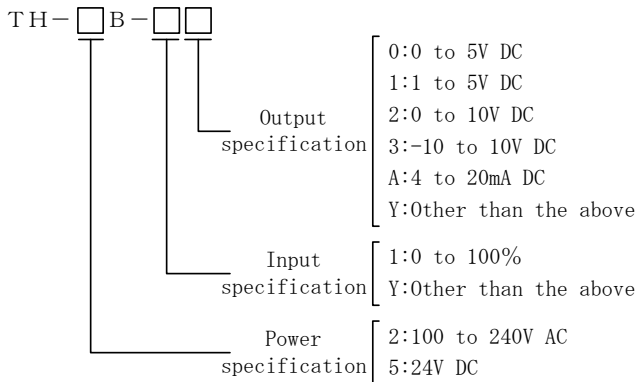
This is an transducer housed in a thin case which converts a potentiometer input signal into the corresponding DC voltage or current output signal.

In addition, the three ports of input, output and power are mutually isolated. The case can be mouted on a DIN rail in one touch.

■ **Model NO. configuration**

Each code and the standard specifications of this converter are as follows. First check whether or not your desired specifications are correct by comparing them to the following specifications.

Example: TH-5B-10



■ **Input specification**

Potentiometer resistance 100 to 10kΩ  
 Reference voltage 0.5V

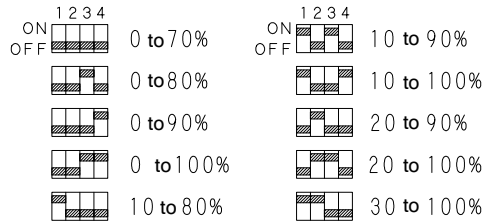
Code	Input
1	0 to 100%
Y	Other than the above

For code NO. Y limit of specifications

Minimum span: More than 50%

■ **setting input range**

It is possible to change an input range with a built-in DIP switch.



Note: Prior to factory shipment, the input is set 0 to 100%.

Always set or change the input/output range with the power turned off. After finishing the setting, stick the attached seal to the window for operation.

■ **Output specification**

Code	Output	Load resistance
0	0 to 5V DC	More than 2kΩ
1	1 to 5V DC	
2	0 to 10V DC	More than 4kΩ
3	-10 to 10V DC	Negative output: more than 10kΩ
A	4 to 20mA DC	Less than 550Ω
Y	Other than the above	

For code NO. Y limit of specifications

Voltage output: -10 to 10 DC

Span: 1 to 20V

Current output: 0 to 20mA DC

Span: 1 to 20mA

■ **General specifications**

Base accuracy: ±0.1% F.S(at 25±2°C)

Load resistance variation: ±0.06% F.S

Power supply variation: ±0.06% F.S

Temperature characteristic: ±0.02% F.S/°C

Response time: 50msec TYP (0 → 90%)

Setting change error: ±1%F.S

Front adjustments: More than ±5%F.S (zero, span)

Insulation resistance: Between the input and output/power supply

More than 100MΩ at 500V DC

Dielectric strength: Between the input and output/power supply

For 1 min. at 1500V AC

Power supply voltage: 100 to 240V AC ±10%

24V DC ±10%

Consuming current: Less than 20mA (at 100V AC)

Less than 50mA (at 24V DC)

Operating ambient temperature: -5 to 50°C

Operating ambient humidity: Less than 90%RH (No-condensing)

Storage temperature: Within -10 to +70°C

Storage humidity: Less than 60%RH (No-condensing)

Case material: Black PC 94V-2

Weight: Approx. 80g

Applicable standards: TH-5B(24V DC POWER)

EN61326-1

EMI: Class A

EMS: Industrial locations

Transducer is applied to standard by the

input and output signal line length less

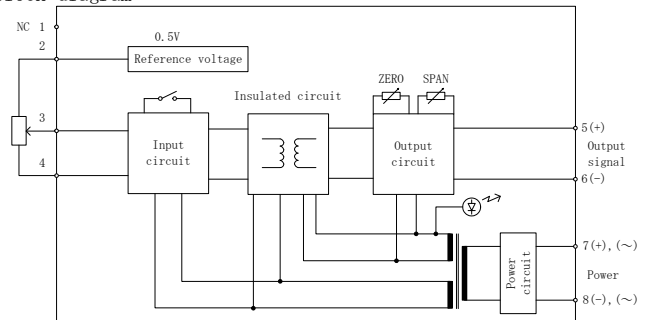
than 30m.

The above standards do not apply to the

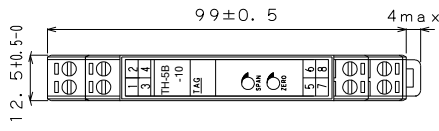
transducer with "Y" specifications.

EN IEC 63000

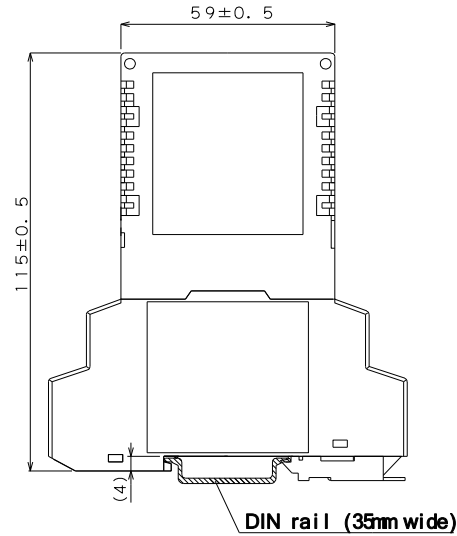
■ **Block diagram**



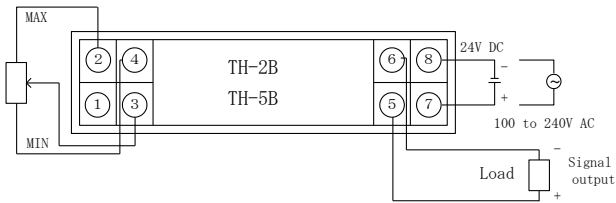
■ Dimensions  
Front view



Side view

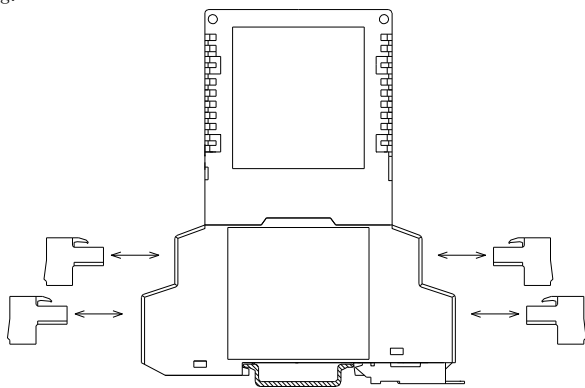


■ Input/output connection diagram

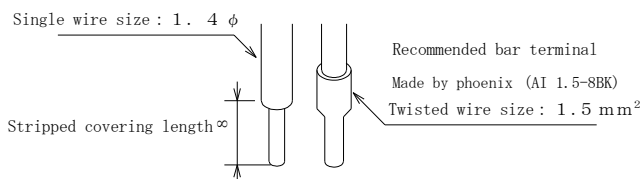


⚠ Note: When conducting wiring, be careful with its polarity.  
Note: Please be careful of the kind of power supply.

■ How to disconnect detachable connector type terminal board  
This transducer uses a detachable connector type terminal board. Detach each connector in the direction as shown in the following Fig.



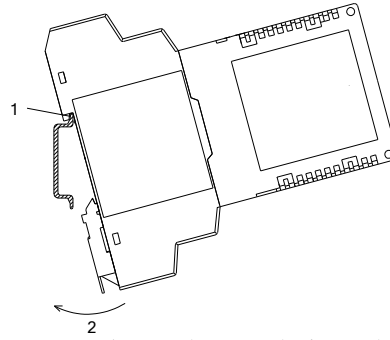
■ Recommended treatment of wires connected to connector type terminal board



■ Mounting or dismounting

Mounting

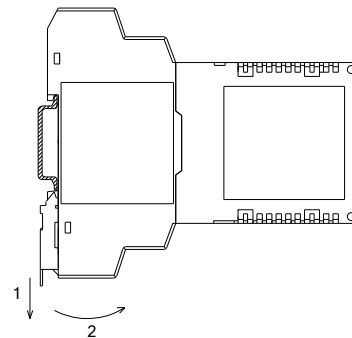
1. Engage the upper side of the transducer with the rail.
2. Push the lower side of the transducer into the rail.



Note: If each transducer is dislocated after being mounted, it is recommended that clamps be used (such as E/NS35N made by Phoenix/Contact, etc.)

Dismounting

1. Push down the slider using a screwdriver. Pull the transducer toward you, then disengage the lower side of transducer from the rail.
2. Disengage the upper side of the transducer from the rail.



■ Caution

- 1) Store the transducer at a location having a storage temperature of -10 to +70°C and a humidity of less than 90% RH.
- 2) Use the transducer at a location where there are no chemicals or gases harmful to its electrical parts or there is no dust.
- 3) Do not apply any vibration or impact to the transducer.
- 4) In order to lessen the effect of noise, etc., do not bundle the input/output wires with the power supply wires, nor put these wires in the same duct. Other measures for reducing noise use shield lines.
- 5) The unit is designed to function as soon as power is supplied, however, a warm up for 30 minutes is required for satisfying complete performance described in the data sheet.

■ Warranty

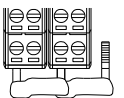
This transducer is warranted for a period of one year from date of delivery. Any defect which occurs in this period and is undoubtedly caused by Watanabe Electric Industry faults will be remedied free of charge. This warranty does not apply to the transducer showing abuse or damage which has been altered or repaired by others except as authorized by Watanabe Electric Industry.

■ After-sale service

This transducer is delivered after being manufactured, tested and inspected under strict quality control. However, if any problem does occur, contact your nearest Watanabe Electric Industry sales agent or Watanabe Electric Industry directly giving as much information on problem as possible.

■ Accessorise

- Dip switch seal: 1 sheet
- Power cable connection clamps: 2pcs.
- Use them when two or more transducers are connected.



**watanabe**  
WATANABE ELECTRIC INDUSTRY CO., LTD.

6-16-19, Jingumae, Shibuya-ku, Tokyo 150-0001, Japan  
Phone: (81)3-3400-6141  
Homepage <http://www.watanabe-electric.co.jp/en/>