

Transmitter With Two Outputs

TW-2XA

NEW!



Input Specifications

Code No.	Input	Input Resistance
0	0 to 5V DC	more than 1M Ω
1	1 to 5V DC	
2	0 to 10V DC	
A	4 to 20mA DC	250 Ω
Y		Special

Y specification

Input voltage: less than 250V DC min span 0.1V DC
Input Current: less than 50mA DC min. span 1mA DC

Output Specifications (1st, 2nd output)

Code No.	Output signal	Load Resistance
0	0 to 5V DC	more than 2K Ω
1	1 to 5V DC	
2	0 to 10V DC	more than 4K Ω
A	4 to 20mA DC	less than 550 Ω
Y		Special

Y specification

Output voltage: less than ± 10 V DC min. span 1V DC
Output Current: less than 20mA DC min. span 1mA DC

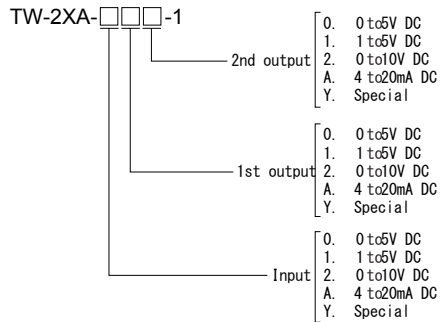
General Specification

Accuracy: $\pm 0.1\%$ F. S ($25^{\circ}\text{C} \pm 2^{\circ}\text{C}$)
 Temperature Characteristic: $\pm 0.02\%$ F. S/ $^{\circ}\text{C}$
 Response time: less than 50msec (0 to 90%)
 Insulation resistance: Between input and output 1, output 2, power supply more than 100M Ω (500V DC)
 Dielectric strength: Between input and output 1, output 2, power supply 1500V AC per 1 min.
 Power supply: 100 to 240V AC $\pm 10\%$
 Operating temperature: -5 to 50°C less than 90%RH (No condensing)
 Power consumption: Less than 45mA at 100V AC
 Less than 30mA at 200V AC
 Weight: Approx. 130g
 Accessory: Instruction manual, terminal cover

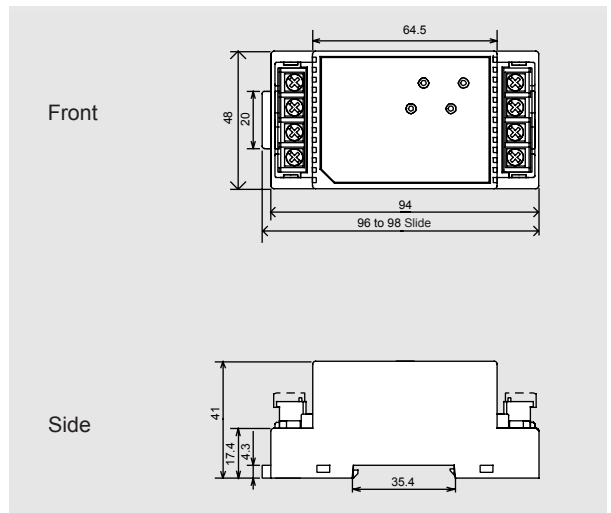
Features

- DIN Rail mount
- AC Power Supply 100 to 240V AC $\pm 10\%$
- 2 Outputs

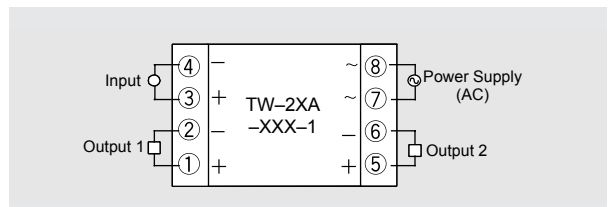
Ordering Code



Dimensions



Connection Diagram



Block Diagram

