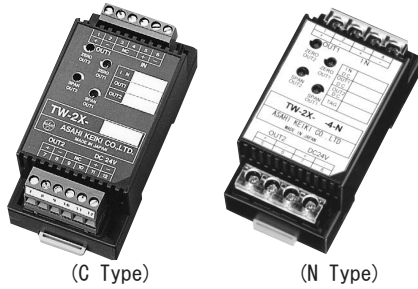


TRANSMITTER WITH ONE INPUT AND TWO OUTPUTS

TW-2X



■ Features

- DIN rail mount
- 2 outputs
- Input/output1/output2/power supply Isolated

■ Input specifications

Code No.	Input signal	Input resistance
0	0-5V DC	More than 1M ohm
1	1-5V DC	
2	0-10V DC	
A	4-20mA DC	250 ohm
B	0-20mA DC	
Y	Other than the above	

Limit of Y specifications
 Voltage input : 250VDC or less , Minimum span : 100mVDC
 Current input : 50mADC or less , Minimum span : 1mADC

■ First output specifications

Code No.	Output signal	Load resistance
A	4-20mA DC	Less than 550 ohm
Y	Other than the above	

Limit of Y specifications
 Current output : 20mADC or less , Minimum span : 1mADC
 Voltage output : From -10VDC to +10VDC
 Minimum span : 1VDC

■ Second output specifications

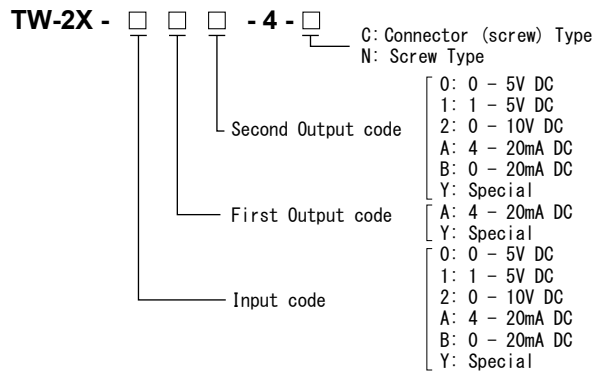
Code No.	Output signal	Load resistance
0	0-5V DC	Less than 2K ohm
1	1-5V DC	
2	0-10V DC	
A	4-20mA DC	Less than 550 ohm
B	0-20mA DC	
Y	Other than the above	

Limit of Y specifications
 Current output : 20mADC or less , Minimum span : 1mADC
 Voltage output : From -10VDC to +10VDC
 Minimum span : 1VDC

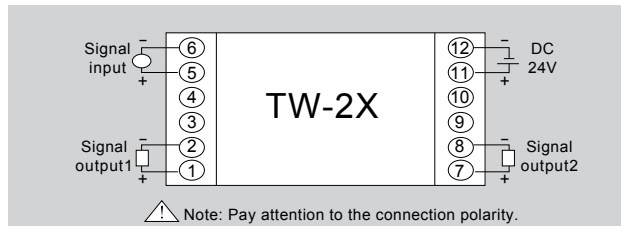
■ General specifications

Accuracy: $\pm 0.1\%$ F.S
 Temperature characteristic: ± 200 ppm FS/°C (TYP)
 Response time: Less than 50msec (0 to 90%)
 Insulation resistance: Between input and/output 1/output 2/power ; More than 100M Ω (at 500VDC)
 Dielectric strength: Between input and/output 1/output 2/power ; For 1 min. at 2000VAC
 Power supply voltage: 24VDC $\pm 10\%$
 Current consumption: Less than 110mA
 Operating ambient temperature: -5 to 50°C
 Operating ambient humidity: Less than 90% RH (No condensing)
 Weight: Approx. 130g
 Accessories: Instruction manual
 Terminal cover
 Detachable 6-P connector

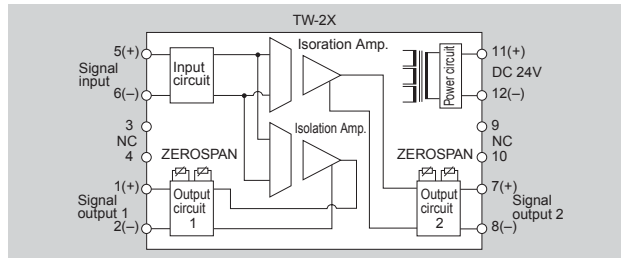
■ Ordering Code



■ Connection Diagram



■ Block Diagram



■ Dimensions

